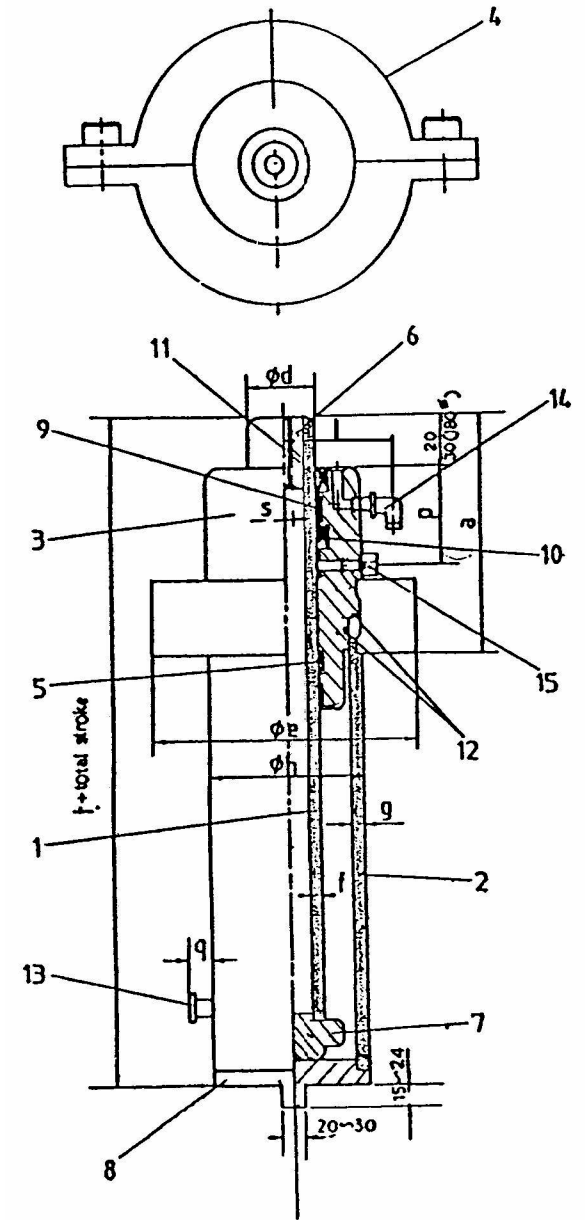
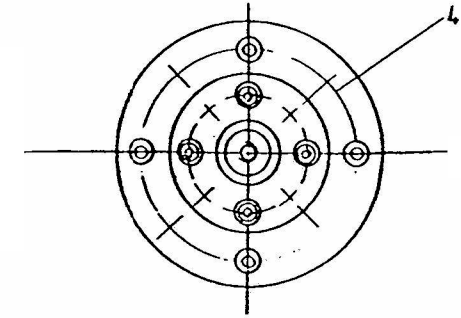


Dia	40	60	70	80	100	125	130	140	150	160	180
a	162	162	162	197	197	197	197	197	197	204	204
d	40	60	70	80	100	125	130	140	150	160	180
e	108	127	127	159	195	225	225	250	25	280	320
f	환봉	환봉	환봉	10	10	10	10	10	10	10	10
g	7	7	9	9	9	9	9	9	9	10	10
h	82.5	101.6	101.6	141.3	159	178	178	194	194	220	245
i	67	79	79	87	99	104	104	113	113	125	138
p	80	80	80	90	90	90	90	90	90	90	90
q	65	65	65	65	70	70	70	70	70	70	70
r	3/4"	3/4"	3/4"	3/4"	11/4"	11/4"	11/4"	11/4"	11/4"	11/4"	11/2"
s	M24	M30	M30	M30	M30	M30	M30	M36	M36	M36	M36
t	237	247	247	282	282	282	282	282	283	303	313
A	12.56	28.26	38.47	50.24	78.54	113.04	132.67	153.93	176.63	201	254.47

16	Base plate	SS41	1	일반구조용 압연강재
15	Air vent	폐삭강	1	
14	Drain cock	BC3	1	청동주물
13	Oil inlet	STPG	1	압력배관용 탄소강 강관
12	O-ring	NBR	2	고무
11	Dust seal	Poly Urethane	1	폴리우레탄
10	U-Packing	Poly Urethane	1	폴리우레탄
9	Wear Band	Bronze Teplon	1	청동분말 수지 혼합제
8	Cylinder Cap	SS41	1	일반구조용 압연강재
7	Piston 하부 Cap	SS41	1	일반구조용 압연강재
6	Piston 상부 Cap	SS41	1	일반구조용 압연강재
5	Wear Band	Bronze Teplon	1	청동분말 수지 혼합제
4	Band	SS41	2	일반구조용 압연강재
3	Cylinder Head	STKM	1	기계구조용 탄소강 강관
2	Cylinder Tube	STPG	1	압력배관용 탄소강 강관
1	Piston Rod	STPG	1	압력배관용 탄소강 강관
품번	품명	재질	수량	비고



Dia	a	d	e	f	g	h	i	p	q	r		s	f	A
200	240	200	360	10	12	274	152	120	70	11/2"	2"	M36	430	314.16
220	240	220	360	10	12.5	274	152	120	70	11/2"	2"	M36	460	380.13
245	260	245	390	12.5	12.5	324	164	125	70	11/2"	2"	M36	500	471.20
270	302	268	500	12.5	15	355	176	170	85	11/2"	2"	M48	550	564
320	302	315	560	12.5	17	406	202	170	85	11/2"	2"	M48	675	779



18	Bolts	SNC	12
17	Bolts	SNC	12
16	Cylinder head cover	STKM	1
15	Air vent	폐삭강	1
14	Drain cock	BC3	1
13	Oil inlet	STPG	1
12	O-ring	NBR	2
11	Dust seal	Poly Urethane	1
10	V-Packing	Poly Urethane	1
9	Wear Band	Bronze Teplon	1
8	Cylinder Cap	SS41	1
7	Piston 하부 Cap	SS41	1
6	Piston 하부 Cap	SS41	1
5	Wear band	Bronze Teplon	1
4	Flange	SS41	2
3	Cylinder head	STKM	1
2	Cylinder tube	STPG	1
1	Piston rod	STPG	1
품 번	품 명	재 질	수 량

