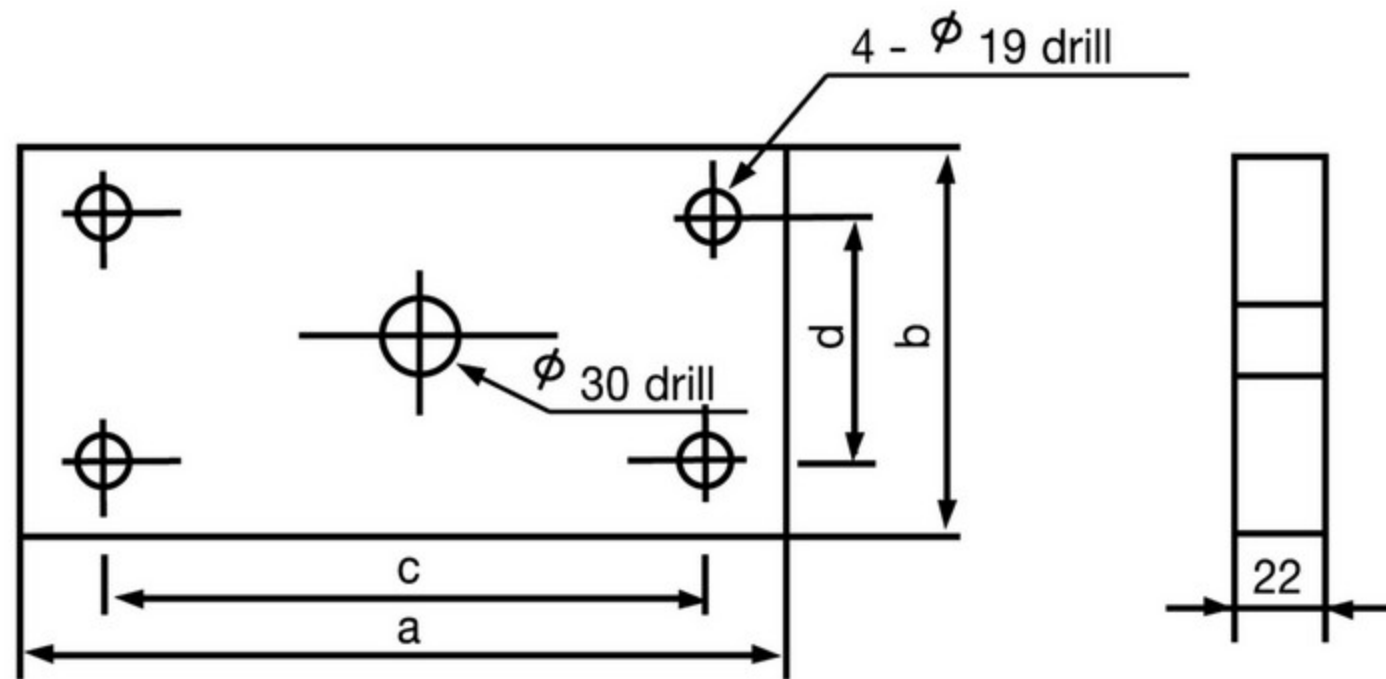
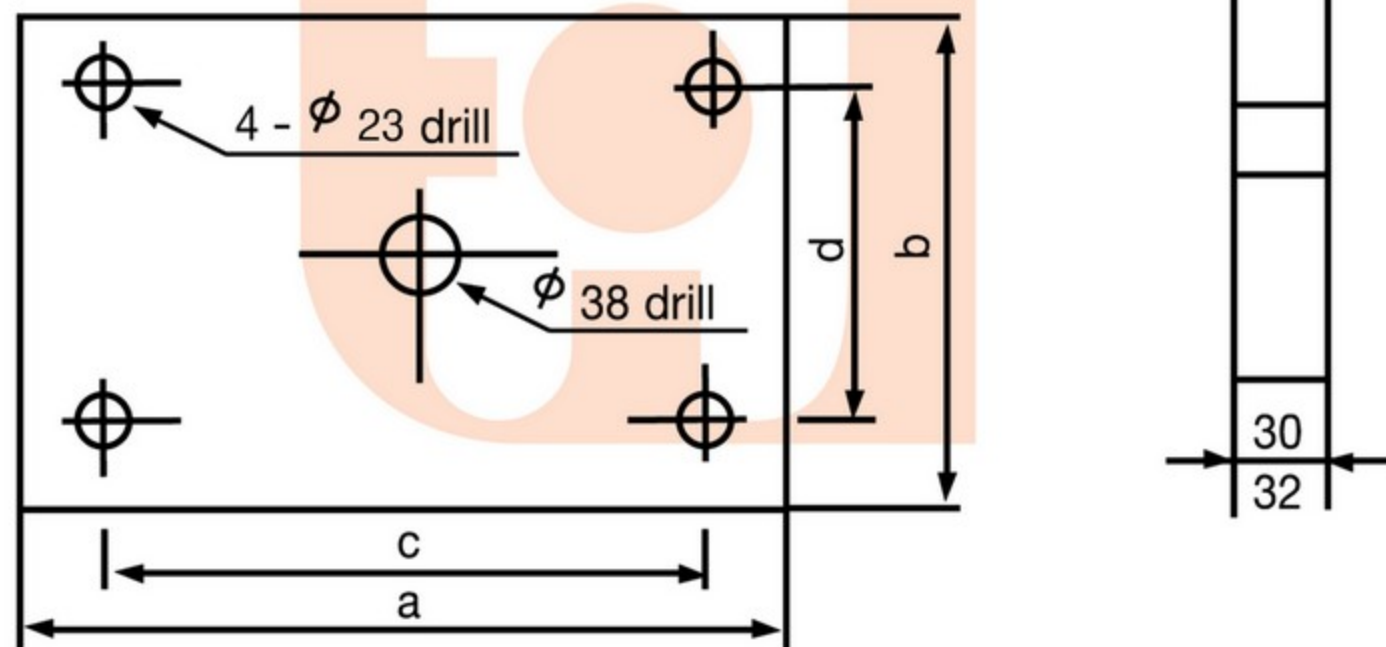


FOOT PLATE FOR CYLINDER

A. PLUNGER (ROD) DIA $\phi 40 - 140$



B. PLUNGER (ROD) DIA $\phi 160 - 250$



DIMENSION

PLUNGER DIA	a	b	c	d
80. 100. 120. 140	300	200	260	160
160. 180	320	260	280	200
195. 200. 220. 250	350	350	300	300

1998.01.09 DAEWON HYDRAULIC