

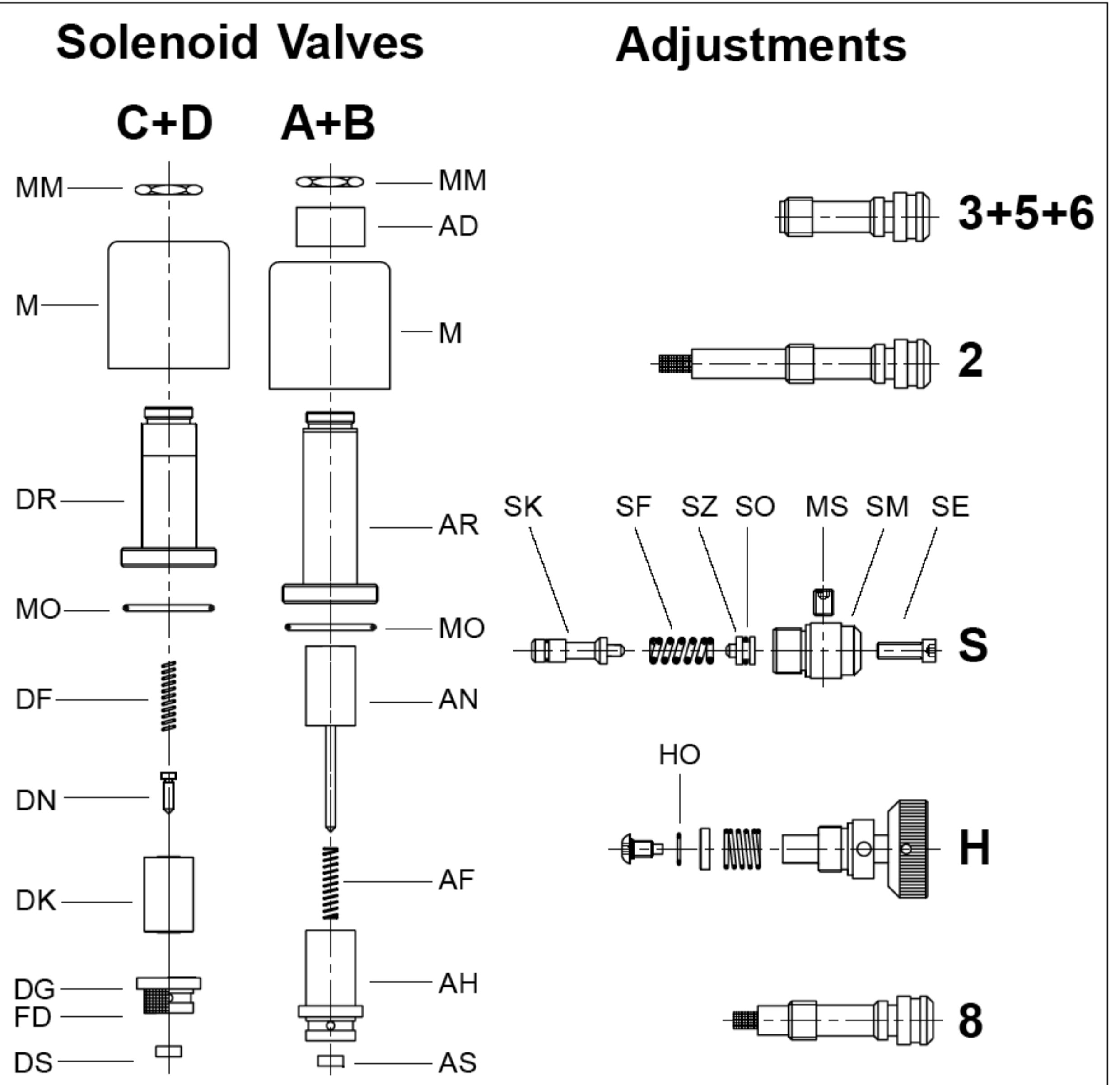
EV Parts List

Pos.	No.	Item
1	FS	Lock Screw - Flange
	FO	0-Ring - Flange
	1F	Flange - By Pass
	EO	0-Ring - Adjustment
	1E	Adjustment - By Pass
	UO	0-Ring - By Pass Valve
	U	By Pass Valve
2	UD	Noise Suppressor
	UF	Spring - By Pass
2	2	Adjustment - Up Acceleration
3	3	Adjustment - Up Deceleration
4	EO	0-Ring - Adjustment
	4E	Adjustment - Up Levelling
	4F	Flange - Check Valve
	FO	0-Ring - Flange
	VF	Spring - Check Valve
	W	Up-Levelling Valve
	WO	0-Ring - Up Levelling Valve
	VO	Seal - Check Valve
5	V	Check Valve
	W6	Screw - Check Valve
5	3	Adjustment - Up Stop
6	3	Adjustment - Down Acceleration
7	7F	Flange - Down Valve
	FO	0-Ring - Flange
	7O	0-Ring - Adjustment
	7E	Adjustment - Down Valve
	UO	0-Ring - Down Valve
	XO	Seal - Down Valve
	X	Down Valve
8	XD	Noise Suppressor
	F	Main Filter
8	8	Adjustment - Down Deceleration
9	EO	0-Ring - Adjustment
	9E	Adjustment - Down Levelling
	9F	Spring - Down Valve
	Y	Down Levelling Valve
H	H	Manual Lowering - Self Closing
	HO	Seal - Manual Lowering
S	SE	Adjustment - Screw
	SM	Hexagonal Grub Screw
	MS	Grub Screw
	SO	0-Ring - Nipple
	SZ	Nipple
	SF	Spring
	SK	Piston
A+B	MM	Nut - Solenoid
	AD	Collar - Solenoid
	M	Coil - Solenoid (indicate voltage)
	AR	Tube - Solenoid 'Up'
	MO	0-Ring - Solenoid
	AN	Needle - 'Up'
	AF	Spring - Solenoid 'Up'
C+D	AH	Seat Housing - 'Up'
	AS	Seat - Solenoid 'Up'
	MM	Nut - Solenoid
	M	Coil - Solenoid (indicate voltage)
	DR	Tube - Solenoid 'Down'
	MO	0-Ring - Solenoid
	DF	Spring - Solenoid 'Down'
DN	Needle - 'Down'	
DK	Core - Solenoid	
DG	Seat Housing with Screen-'Down'	
FD	Filter Solenoid	
DS	Seat - Solenoid 'Down'	

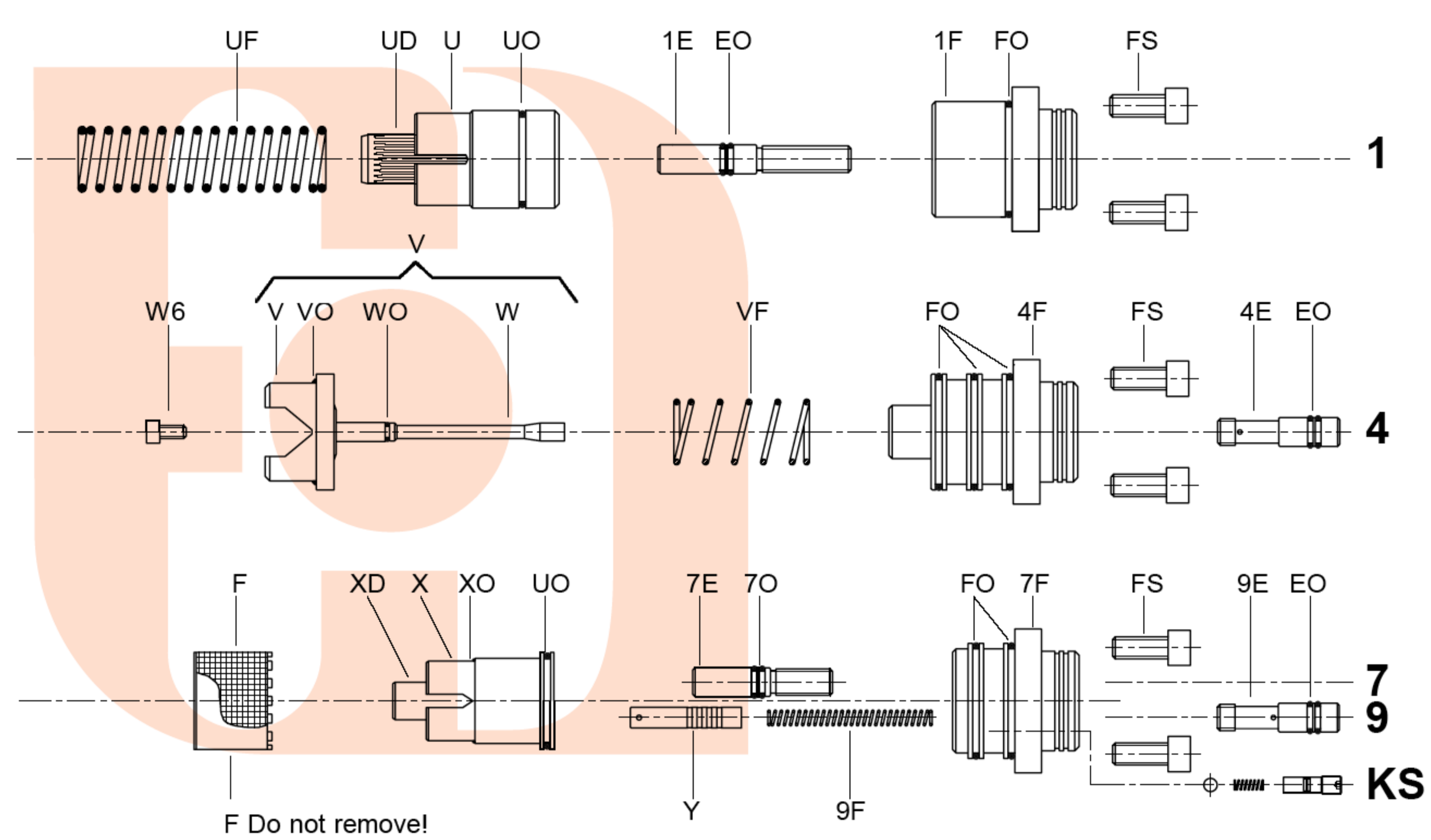
0-Ring-Size			
No.	3/4"	1 1/2"	2 1/2"
FO	26x2P	47x2.5P	58x3P *
EO	9x2P	9x2P	9x2P
UO	26x2V	39.34x2.62V	58x3V
WO	5.28x1.78V	5.28x1.78V	5.28x1.78V
VO	23x2.5V	42x3V	60x3V **
7O	5.28x1.78P	9x2P	9x2P
XO	13x2V	30x3V	47x3V
HO	5.28x1.78V	5.28x1.78V	5.28x1.78V
SO	5.28x1.78P	5.28x1.78P	5.28x1.78P
MO	26x2P	26x2P	26x2P

* FO by 4F 2 1/2" is 67x2.5P
 ** 90 Shore

0-Ring: V - Viton
 P - Perbunan

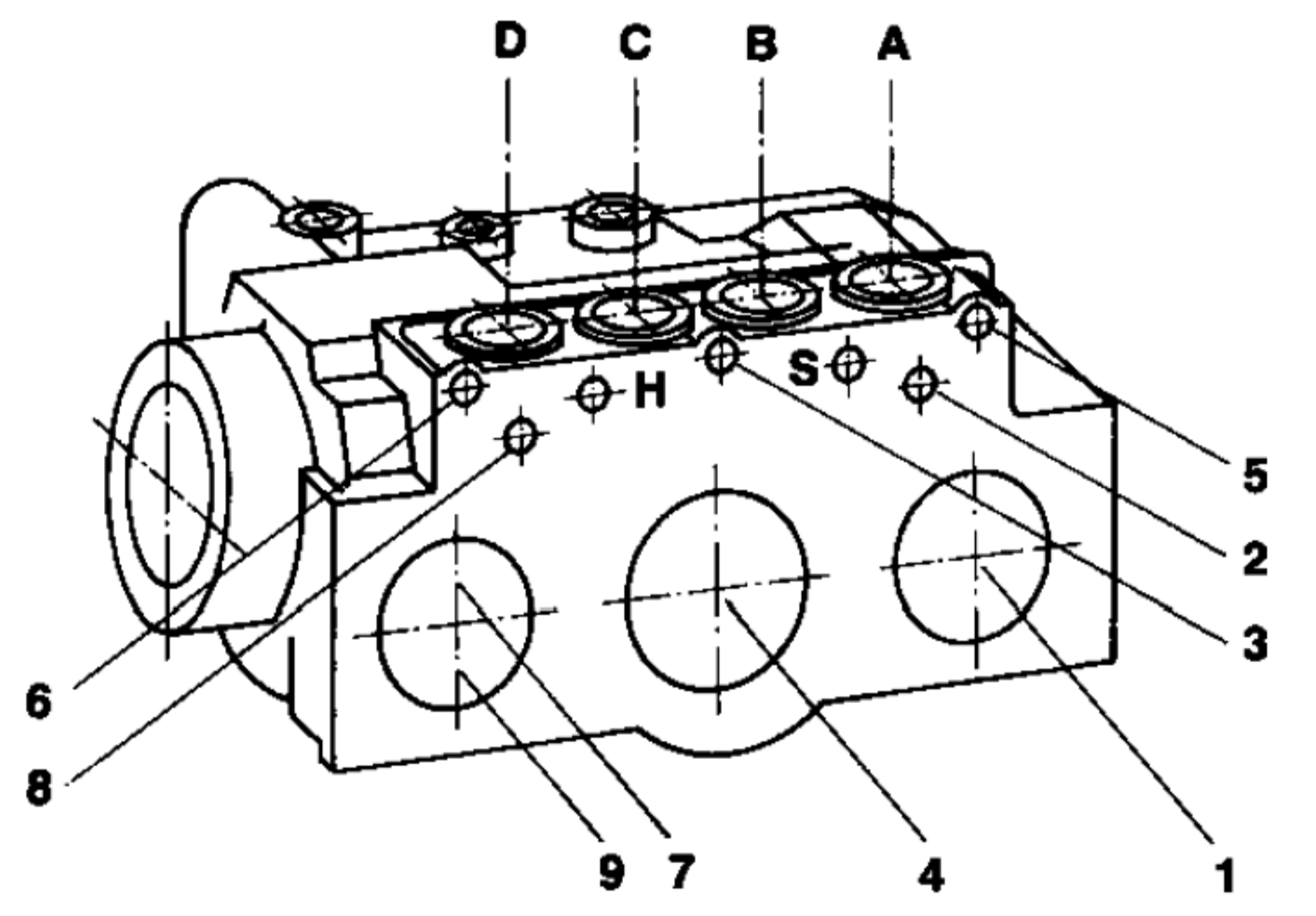
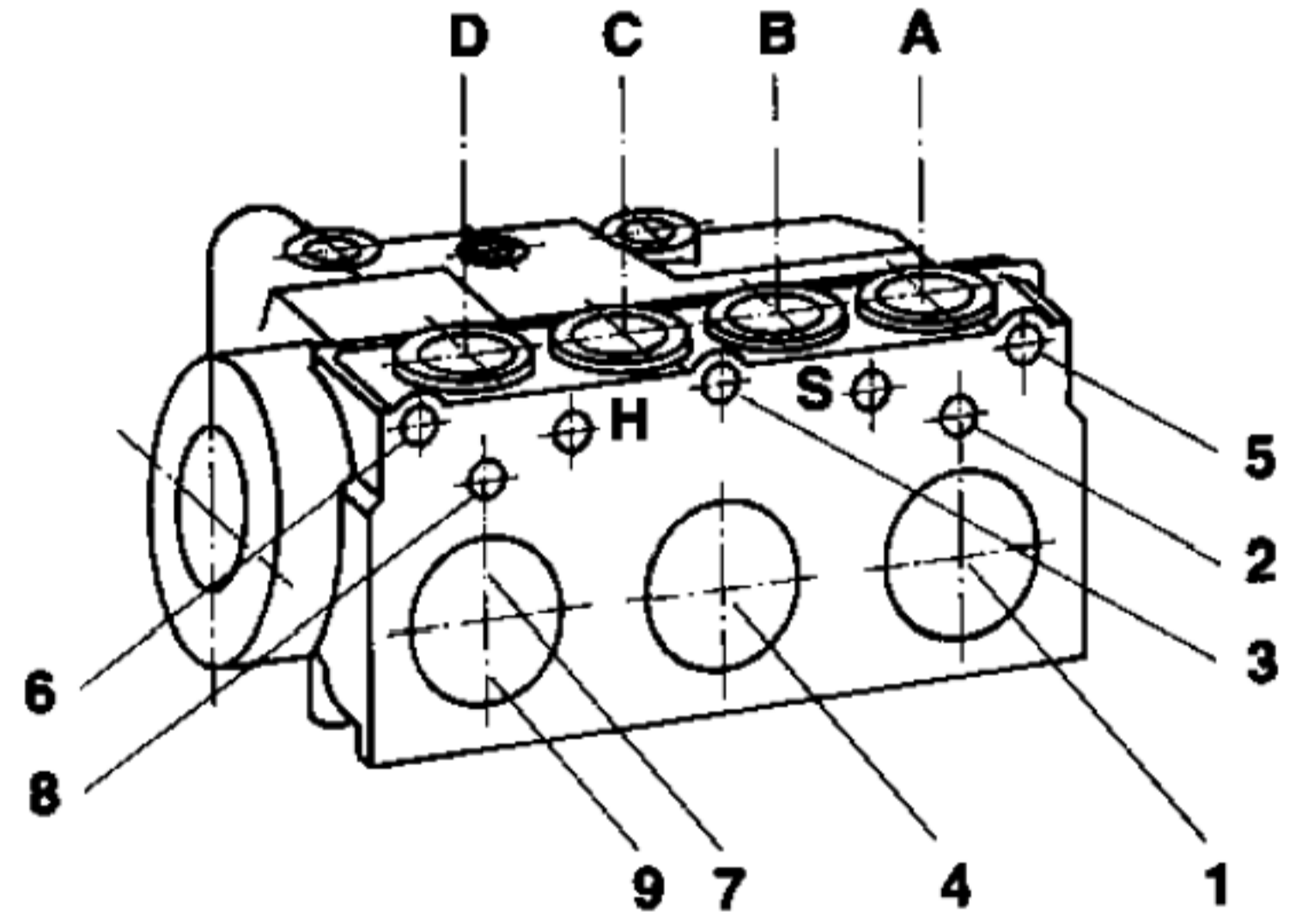
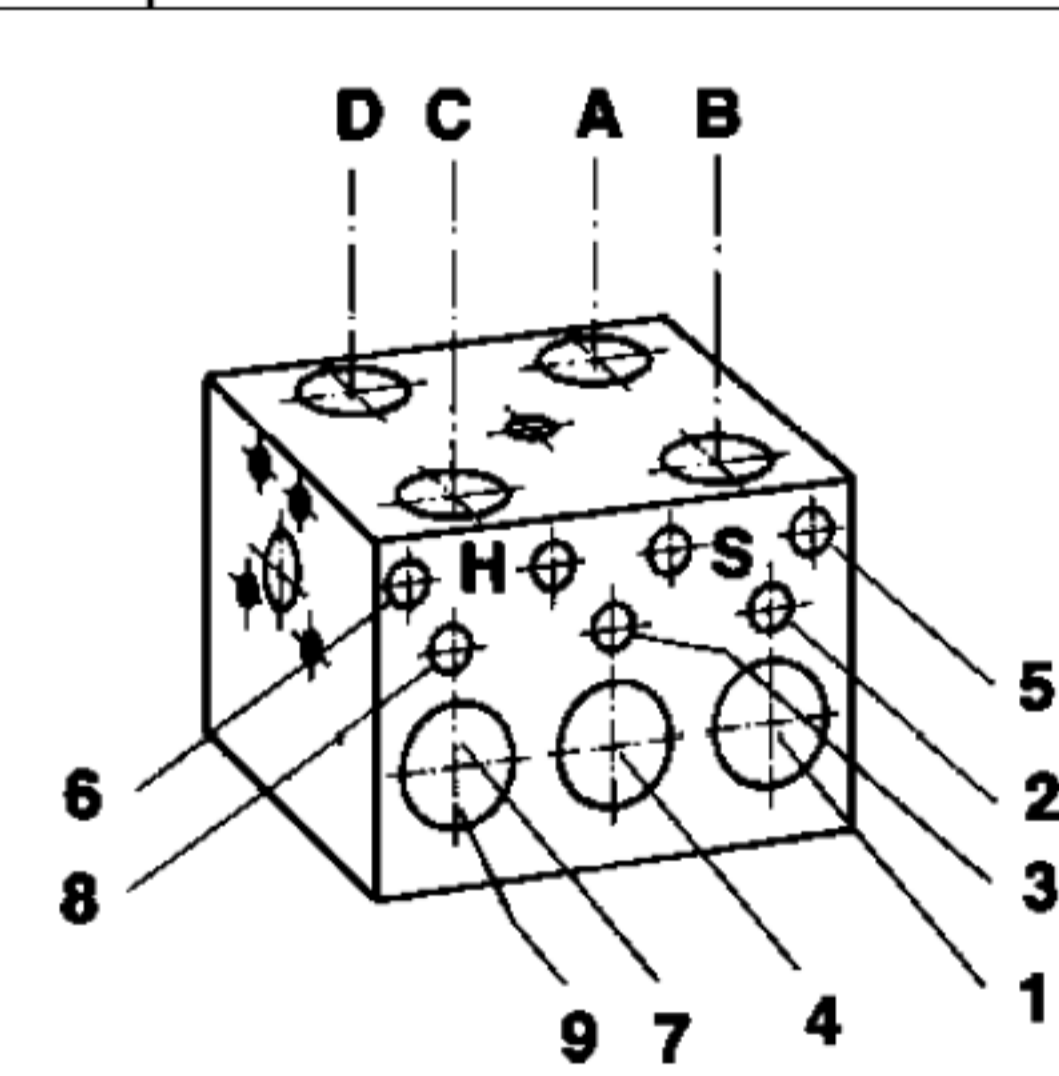


Flow Valves



In case of down leakage, replace and test in the following order: DS & DN, XO, VO, WO, FO and HO.

! Taper threads: Do not exceed 8 turns of piping into the valve connections.



Flow Guide Selection Charts

